

D&B 8-D

The 8D is a powerful, versatile rig despite its tight access footprint.

The 8-D is a tight access, multipurpose drill rig, designed for shallow mineral exploration, geotechnical, water-well drilling and now RC drilling.

With remote tramming and rubber tracks it's perfect for big jobs on tight access sites.

STANDARD SPECIFICATIONS

MAX. PULL BACK	8000KG
RETRACT SPEED	25 M/MIN
PULL DOWN SPEED	30M/MIN
WORKING TABLE DIA	250MM
ENGINE CAPACITY	40KW @ 1800RPM
MAX. SPINDLE SPEED	800RPM
PUMP OUTPUT	140 LPM @ 30 BAR
MAIN WINCH CAPACITY	3000KG
PULL-DOWN	4000KG
STROKE	3.5M
ROD PULL	3M
HEAD TORQUE (MAX.)	3530NM
W/L WINCH CAPACITY	500M OF 6MM

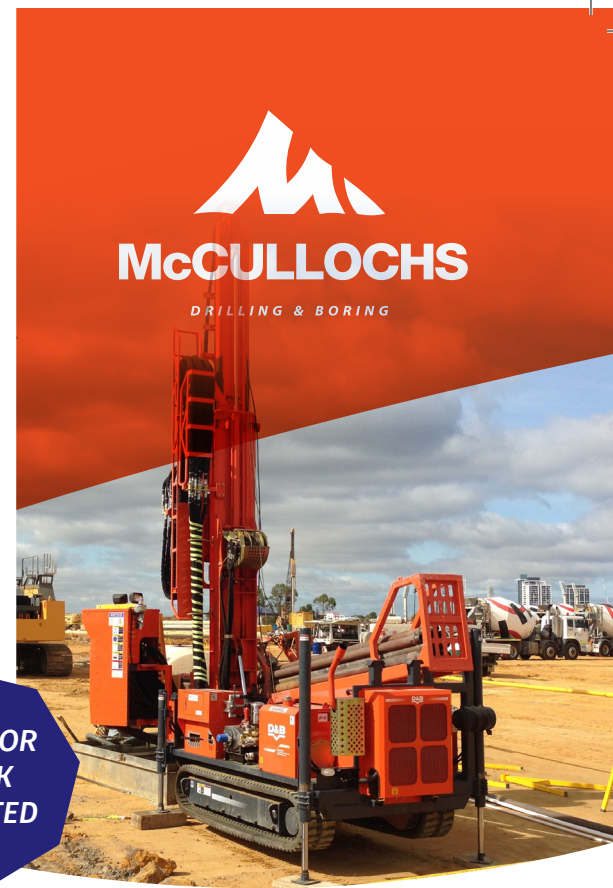
*DEPTH CAPABILITY

PWL (114.3mm)	Up to 80M
HWL (88.9mm)	Up to 150M
NWL (69.9mm)	Up to 250M
100-150MM DIA	Up to 150M
100-150MM DIA	Up to 150M

BASIC RIG DIMENSIONS

OA LENGTH	5.4M
OA WIDTH	1.91M
OA TRANSPORT HEIGHT	2M
HEIGHT (MAST RAISED VERTICALLY)	6.4M
DRY WEIGHT (DEPENDING)	4.2T

TRUCK OR
TRACK
MOUNTED



McCULLOCHS
DRILLING & BORING

STANDARD EQUIPMENT

WIRELESS REMOTE TRAMMING
RUBBER TRACKS
DUAL MOTOR ROTATION HEAD
WIRELINE WINCH
HYUNDAI D4BB DIESEL MOTOR
TOP HEAD DRIVE
140 LPM VARIABLE VOLUME WATER PUMP
HYDRAULICALLY OPERATED ROD BASKET
ROD GUARD WITH INTERLOCK
HOSE COVERING
RISK ASSESMENT

OPTIONAL EXTRAS

ROD MAKER-BREAKER
WELDER
HYDRAULIC SPT HAMMER
HIGH TORQUE HEAD
CONVERSION AVAILABLE
RC SYSTEM
TOOL BOX

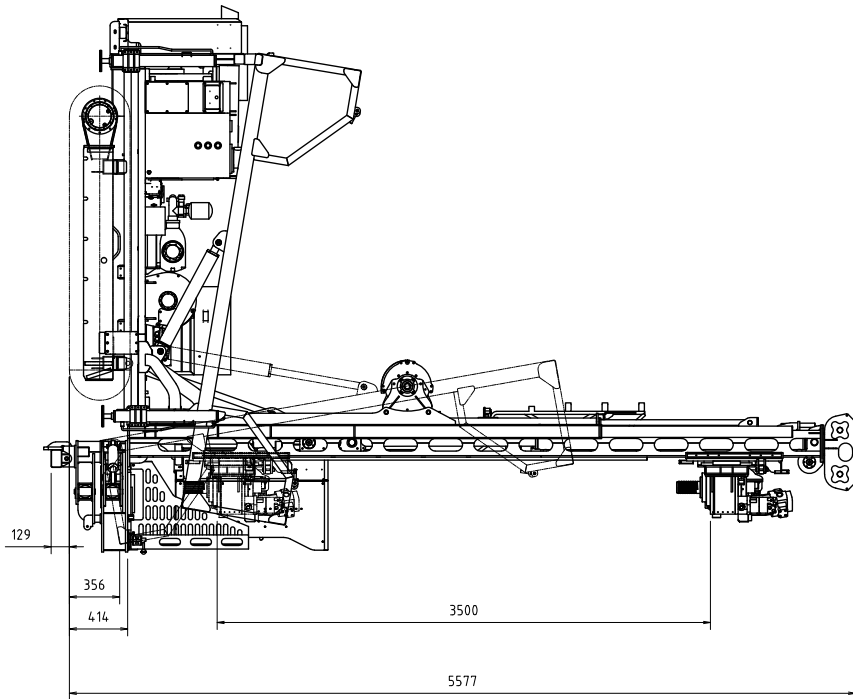
*Under normal drilling conditions

DISCOVER OUR CAPABILITIES

Call: +61 3 5445 6900
Email: sales@mccullochs.com.au
Visit: mccullochsdrilling.com



McCULLOCHS
DRILLING & BORING



MAIN TOP ABLE TO UP & DOWN 750mm
(TOTAL STROKE 1500mm)

