

# D&B 5-CR

Support carrier

## STANDARD SPECIFICATIONS

WIRELESS REMOTE

KIOTI ENGINE 34 HP

SOLA 035 TRACK FRAME

RUBBER TRACKS

WIRELESS CONTROL FOR TRAMMING  
(ON BOARD 12V BATTERY CHARGER)

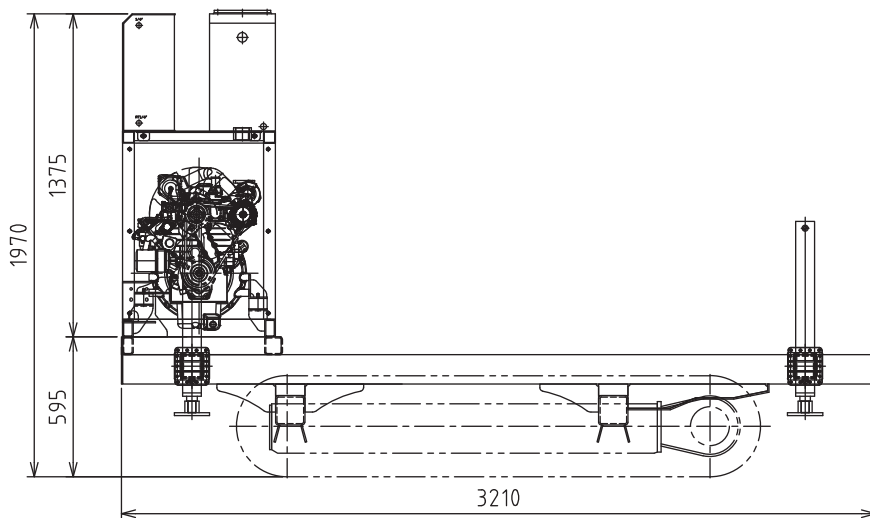
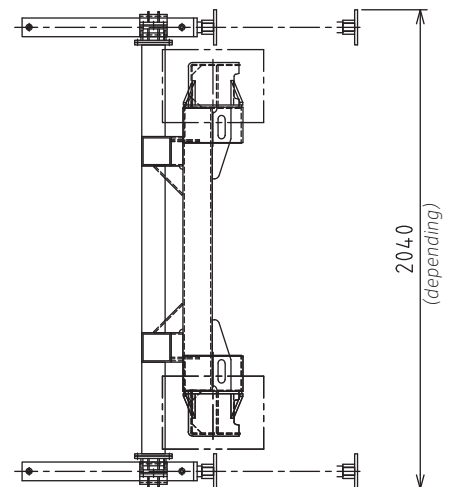
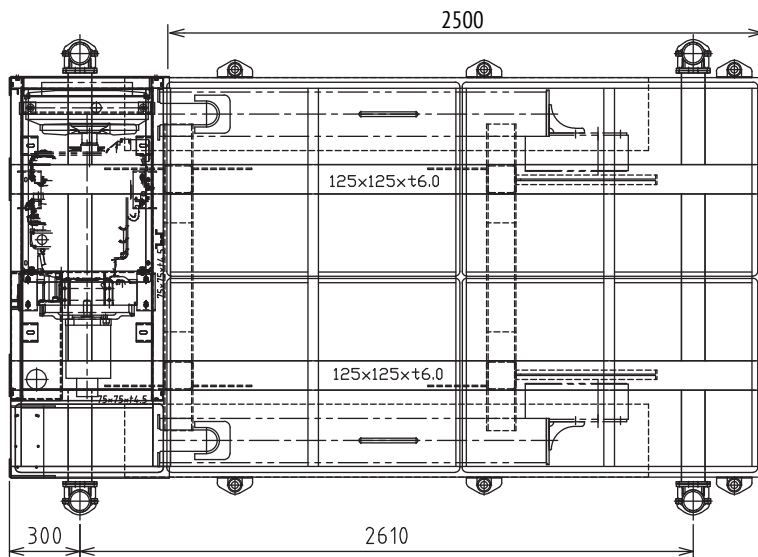
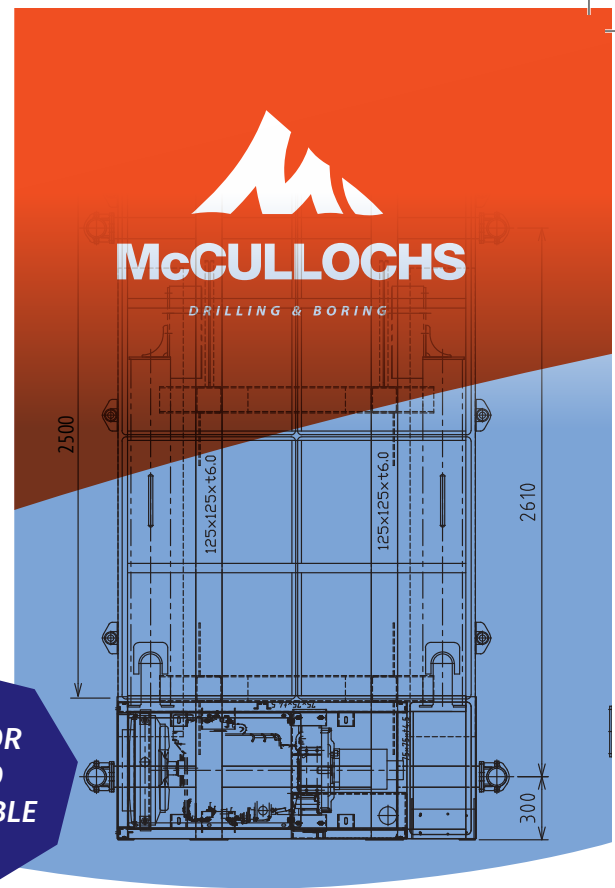
BATTERY ISOLATOR

4 X LEVELLING JACK LEGS

3,000KG PAYLOAD

DRY WEIGHT (BASE MODEL) 3,000KG

NEW OR  
USED  
AVAILABLE



**DISCOVER OUR  
CAPABILITIES**

Call: +61 3 5445 6900  
Email: [sales@mccullochs.com.au](mailto:sales@mccullochs.com.au)  
Visit: [mccullochsdrilling.com](http://mccullochsdrilling.com)



**McCULLOCHS**  
DRILLING & BORING